

Sento sospeso flat »cc« datasheet

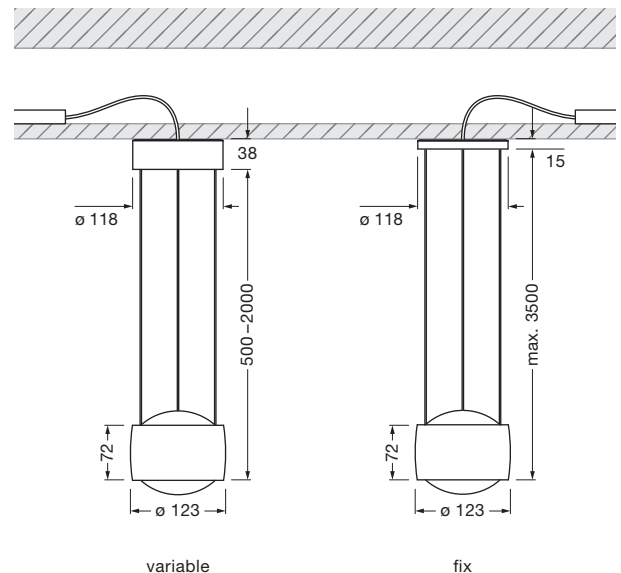
LED suspended luminaire with double sided light output, luminous power 2 × 18 W (version with chrome finish 2 × 13 W). Lighting effect changeable via optional inserts.

flat-version with height adjustment

LED suspended luminaire freely height adjustable and flat base base for mounting on hollow ceiling, connection to constant current source (driver). Extern dimmable (depending on the power supply unit).

flat-version with fixed length

LED suspended luminaire with fixed height adjustment and flat base for mounting on hollow ceiling, connection to constant current source (driver). Extern dimmable (depending on the power supply unit).



dimensions in mm

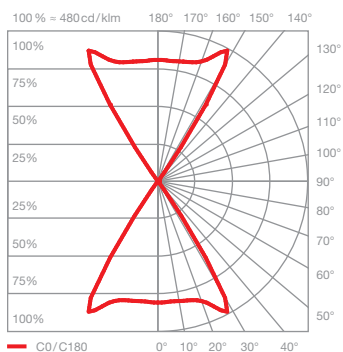
technical data Sento sospeso flat »cc«

properties	material	aluminium, steel chrome-plated, painted or anodised, plastic, glass, optical plastic
	freely height adjustable	only variable version
	length	variable: 500 – 2000 mm / fix: max. 3500 mm
	weight	variable: 2.4 kg / fix: 1.9 kg
surface	head	chrome, matt chrome, glossy white, matt white, glossy black, matt black, matt gold
	base	chrome, matt chrome, glossy white, matt white, glossy black, matt black, matt gold
Occhio LED	average life time	> 50.000 hrs
	energy efficiency class	A+ / A
	power	2 × 18 W max. 2 × 500 mA (> 36 V DC) / 2 × 13 W* max. 2 × 350 mA (> 36 V DC)
	color rendering index	perfect color; CRI Ra 97 high flux; CRI Ra 85
	color temperature	2700, 3000 K 3000, 3500, 4000 K
	recommended use	residential and public public
electricity	dimming	with trailing edge phase cut dimmer, push button, DALI or 1–10 V (depends on driver)
	power supply unit	remote, driven by constant current source max. 2 × 500 mA / 36 V DC
	permitted operating conditions	max. 30°C for indoor use only

* version chrome



Sento sospeso flat »cc« lighting effects



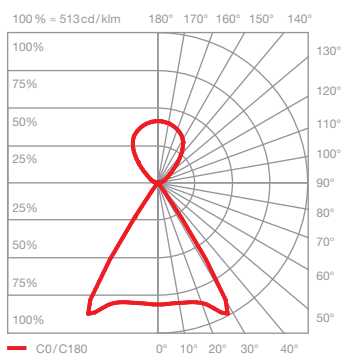
Sento D

directed light in both directions beam angle approx. 80°

inserts: lens
lens

luminous flux: perfect color 2 × 18 W 2460 lm
high flux 2 × 18 W 3380 lm

perfect color 2 × 13 W 1690 lm
high flux 2 × 13 W 2460 lm



Sento E

diffuse up light directed down light beam angle approx. 80°

inserts: satinised glass
lens

luminous flux: perfect color 2 × 18 W 2300 lm
high flux 2 × 18 W 3160 lm

perfect color 2 × 13 W 1580 lm
high flux 2 × 13 W 2300 lm